



DV125

Dual View Dumper

Seizing new dimensions

The first 12.5-ton dumper is impacting the market with the reliable Dual View swivel seat concept and the high level of standard safety equipment. With the high payload capacity of 12.5 tons, the DV125 has the ability to transport more material like a truck, but maintains the advantages of a dumper. The articulated pendulum joint and hydrostatic all-wheel drive ensures it retains its tractive force while traveling across rough terrain. All these benefits are supported by the machine's built-in high safety standards, providing for an excellent operating experience.

Highlights

- High payload for maximum material handling
- Dual View rotating seat concept
- High safety standards
- Compact dimensions and maximum maneuverability
- Sturdy heavy-load axle

Technical Data

Hydraulic

Operating pressure hydraulics	241.0 bar
Hydraulic pump	ZRP
flow rate	73.0 l/min
tank capacity	55.0 l

Mechanical - Output Details

Travel speed	25.0 km/h
--------------	-----------

Mechanical Details

Length	5,342.0 mm
Width	2,540.0 mm
Height	3,063.0 mm
Payload	12,500.0 kg
skip	Front tip skip
skip capacity levelled	5,900.0 l
Skip capacity heaped	7,000.0 l
Skip capacity waterlevel	3,700.0 l
Pendulum angle	11.0 °
Operating weight (min.-max.)	6,335.0 - 6,585.0 kg

Engine

Cooling	Water-cooling
Engine type	Diesel engine

Cylinder	4.0
Cylinder capacity	3,621.0 cm ³
Effective power	100.0 KW
Nominal Engine speed	1,600.0 1/min
Exhaust-gas limit	EPA Tier 4 final, EU Stage V
Starter battery Voltage	12.0 V
Engine Manufacturer	Deutz
Engine Designation	TCD3.6 L4

Environment Data

Sound power LWA, guaranteed	101.0 dB(A)
Sound power LWA (Standard)	2000/14/EG

Operating Fluids

Fuel specification	Diesel EN 590
Fuel Tank capacity	150.0 l

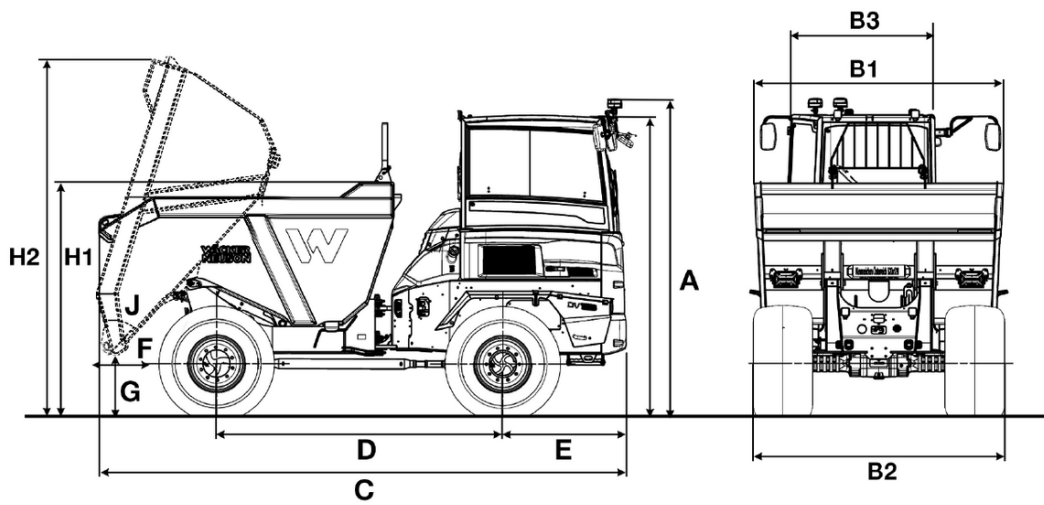
Chassis

turning radius	7,188.0 mm
articulation angle	28.0 °
flow rate	180.0 l/min
Tires	600/50-22.5 Alli. Flotation331

Shipping and Storage

Shipping weight	6,376.0 kg
-----------------	------------

Dimensions



A	Height with cab	3,063 mm
	Height of cab with rotating beacon	3,227 mm
B1	Width of skip	2,519 mm
B2	Width of vehicle	2,540 mm
B3	Width of cab	1,629 mm
C	Total length	5,342 mm
D	Wheel base	2,900 mm
E	Rear overhang	1,252 mm
F	Dumping width	628 mm
G	Dumping height max.	615 mm
H1	Skip height	2,384 mm
H2	Skip height tilted	3,659 mm
I	Ground clearance	388 mm
J	Dumping angle	48 °



conplant.com.au | 1300 166 166